

Flexor[®] Shuttle

Flexor[®] Shuttle[®] SL
Introducer

Flexor[®] Shuttle Select[®]
Introducer



History



1960

Cook Medical's legacy of **vascular access innovation** goes back to the 1960s when we collaborated with a pair of physicians to pioneer the first introducer sheath.



1991

In 1991, Cook introduced **Flexor®—a longer, kink resistant, soft-tipped sheath** to access smaller, more fragile vasculature to support the challenges of device delivery.



Today

Over time, this core technology product has evolved, and we now offer nine Flexor "families" with a broad range of sizes, lengths, and designs.



Read more about our **Flexor history**

Indications and instructions



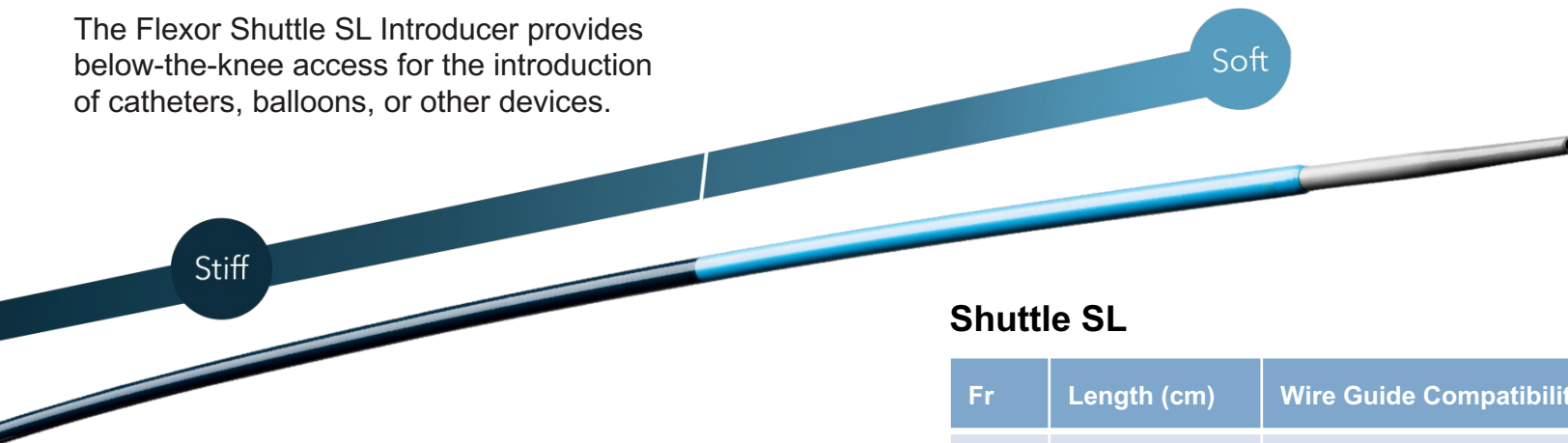
The Flexor Shuttle introducers and guiding sheaths **are intended to be used as a pathway into the vasculature** when therapeutic or diagnostic devices are to be introduced. These devices are not intended to be placed in the coronary or neuro vasculature.



These devices are intended for **use by physicians trained and experienced in diagnostic and interventional techniques**. Endovascular access procedures that require the use of the Flexor introducers and guiding sheaths should only be performed by licensed and trained clinical practitioners, such as vascular surgeons, interventional radiologists, and interventional cardiologists.

Configurations

The Flexor Shuttle SL Introducer provides below-the-knee access for the introduction of catheters, balloons, or other devices.

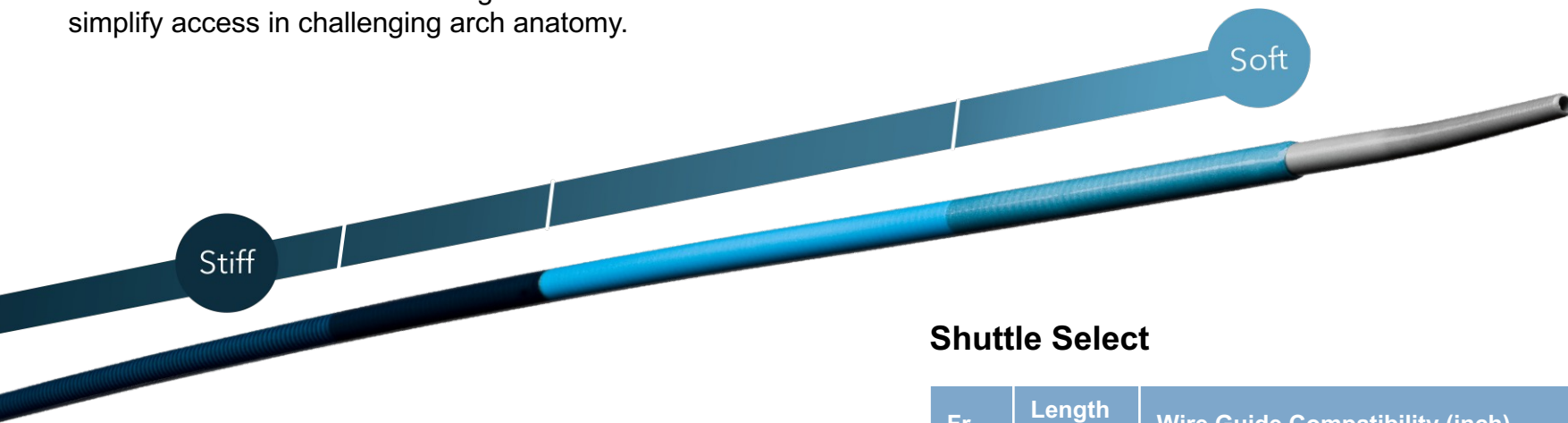


Shuttle SL

Fr	Length (cm)	Wire Guide Compatibility (inch)
4	90, 110	0.018, 0.035
5	90, 110	0.018, 0.038
6	80, 90, 110	0.038
7	80, 90	0.038
8	90	0.038

Configurations

The Flexor Shuttle Select is designed to simplify access in challenging arch anatomy.



Shuttle Select

Fr	Length (cm)	Wire Guide Compatibility (inch)
5	90	0.038
6	90	0.038

Features of Flexor



Trackability

- ▶ Rounded sheath tip and tapered dilator tip to ease insertion into patient anatomy
- ▶ AQ® hydrophilic coating to enhance lubricity of device



Pushability

- ▶ Stainless steel coiling incorporated into sheath material for resistance to kinking
- ▶ Multiple durometers of nylon along the sheath shaft provide pushability on the proximal end and flexibility on the distal end



Visibility

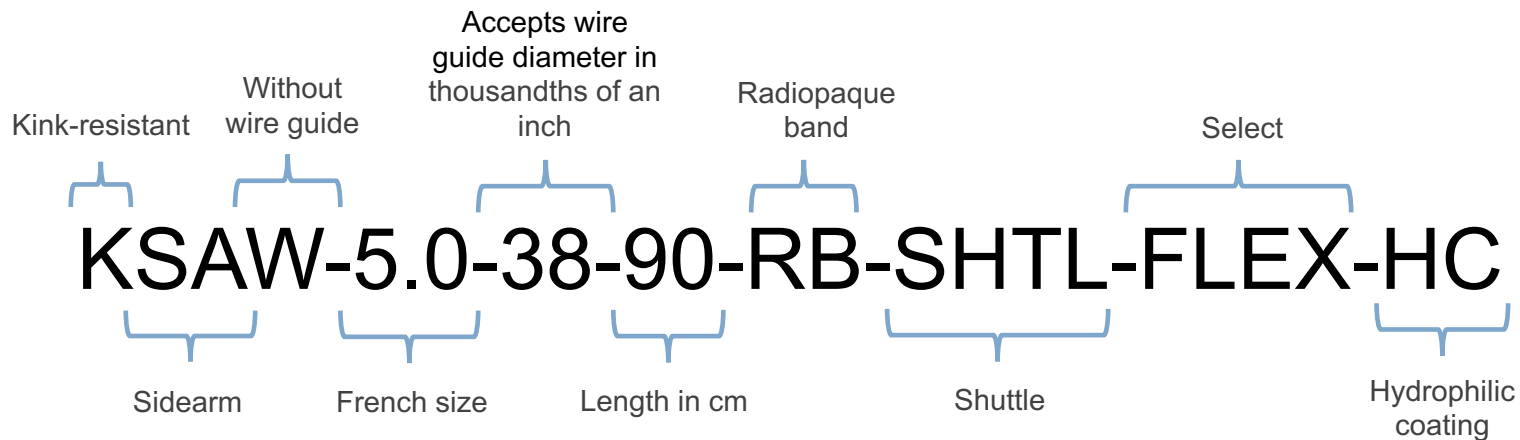
- ▶ Radiopaque band incorporated into sheath material for precise location of the sheath's distal tip for positioning accuracy



Usability

- ▶ Low-friction, PTFE-coated lumen facilitates effortless device delivery
- ▶ Haemostasis valve to minimise leakage (with Tuohy-Borst adapter included)

RPN decoded

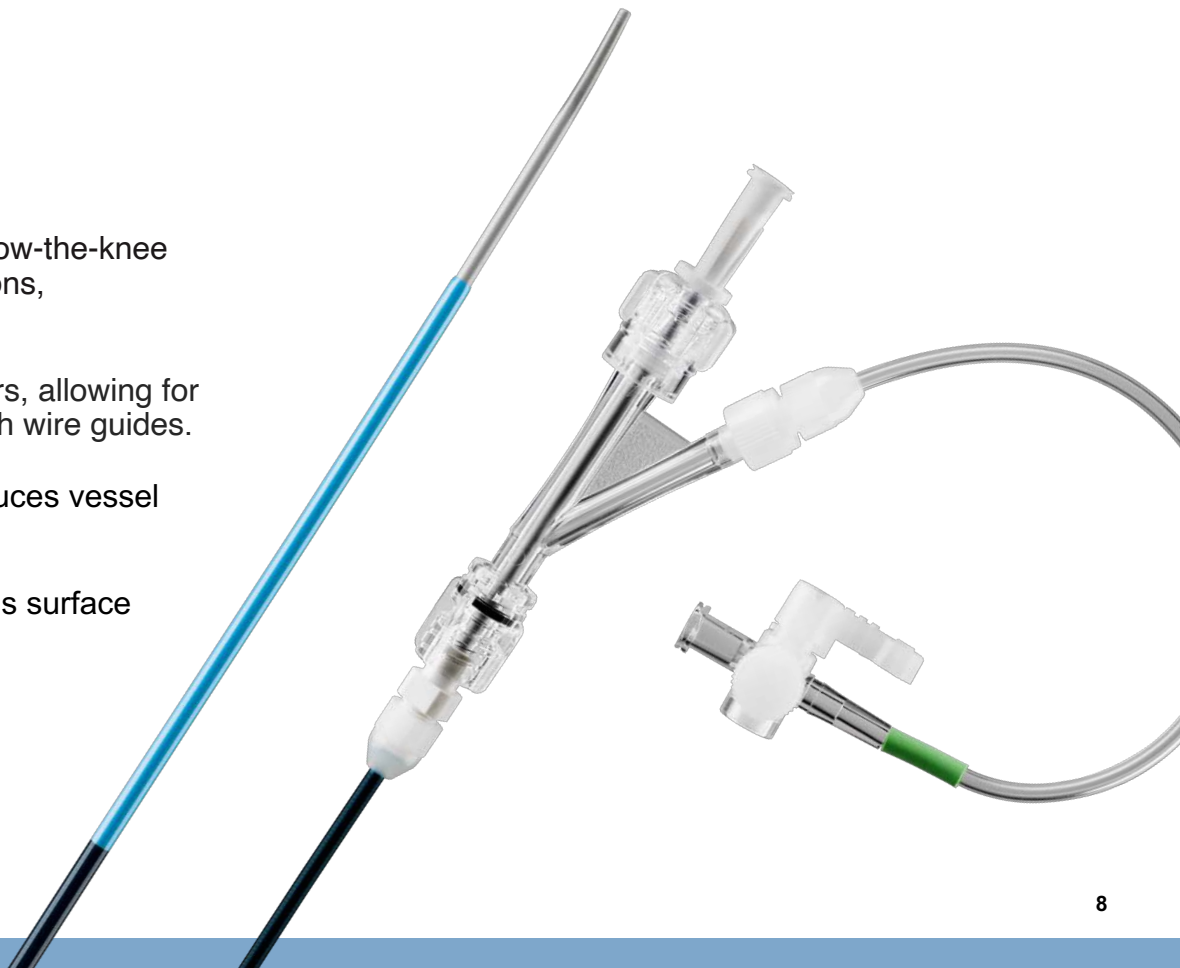


Flexor Shuttle SL

Introducer

The Flexor Shuttle SL Introducer provides below-the-knee access for the introduction of catheters, balloons, or other devices.

- ▶ Smaller French sizes come with two dilators, allowing for compatibility with 0.018 inch and 0.035 inch wire guides.
- ▶ Atraumatic SL (soft landing) tip design reduces vessel trauma during engagement.
- ▶ AQ hydrophilic coating provides a lubricious surface area for enhanced trackability.

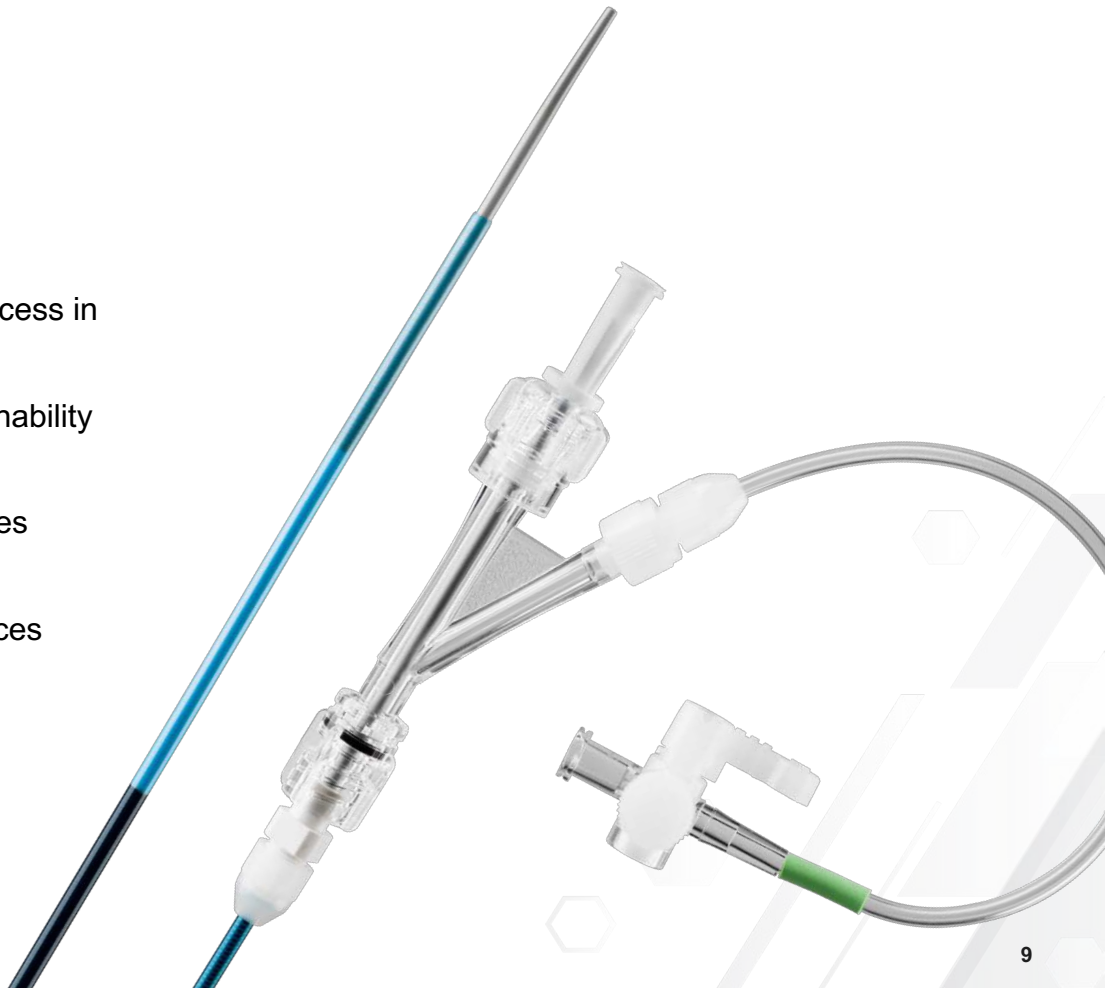


Flexor Shuttle Select

Introducer

The Flexor Shuttle Select is designed to simplify access in challenging arch anatomy.

- ▶ Stiff proximal shaft design enables superior pushability and support for devices.
- ▶ Atraumatic tip with unique transition zone reduces vessel trauma.
- ▶ AQ hydrophilic coating on the distal 25 cm reduces friction during introduction and manipulation.





Flexor® Shuttle® SL
Introducer

Flexor® Shuttle Select®
Introducer

**To learn more, contact your local
Cook Medical representative.**