

Explore your options for
percutaneous drainage.



Universa[®]

PERCUTANEOUS DRAINAGE CATHETER



Universa®

PERCUTANEOUS DRAINAGE CATHETER

The Universa® product line has premium features for everyday procedures. Universa products offer quality, convenience, and savings. Consolidate part numbers, streamline ordering, and save time and money with Universa.

The Universa line accommodates three drainage procedures. Each set includes a catheter and accessories for the specified procedure. Introductory and exchange sets are available with either a loop or a Malecot catheter. Suprapubic sets are available with a Malecot catheter.

Full-line offering

The percutaneous drainage sets are part of Universa's full line of products for everyday procedures.

Set options

The following set options are available:

Introductory sets are for initial catheter placement procedures.

Each set includes these components:

- A catheter (loop or Malecot)
- An EchoTip® needle with obturator
- A curved Safe-T-J® PTFE-coated stainless steel wire guide
- Dilators
- 2 straightening stylets¹
- A connecting tube with a one-way stopcock²
- A silicone retention disc with plastic tie

Exchange sets are for catheter exchange procedures.

Each set includes these components:

- A catheter (loop or Malecot)
- 2 straightening stylets¹
- A connecting tube with a one-way stopcock²

Suprapubic sets are specifically for suprapubic drainage procedures.

Each set includes these components:

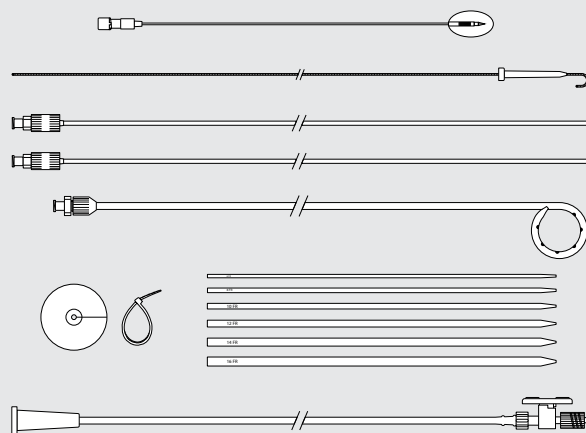
- A Malecot catheter
- A locking needle
- A connecting tube with a one-way stopcock²

1. 6 and 8 Fr loop sets do not contain stylets.

2. The one-way stopcock is not available on Malecot catheters that are 16 Fr and larger.

UNIVERSA PERCUTANEOUS DRAINAGE CATHETER

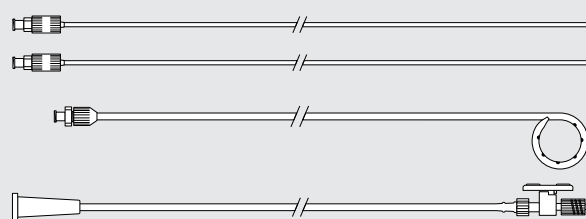
Loop Drainage Catheter Introductory Set



Order Number	Reference Part Number	Catheter Fr	Catheter Length cm	Dilators Fr	Dilator Length cm	Needle gage	Wire guide inch
Loop Drainage Catheter Introductory Set							
G55800	ULCS-6-15	6.0*	15	5-8	20	18	0.038
G55801	ULCS-8-30	8.0*	30	6-10	20	18	0.038
G55802	ULCS-10-30	10.0	30	6-12	20	18	0.038
G55803	ULCS-12-30	12.0	30	6-14	20	18	0.038
G55804	ULCS-14-30	14.0	30	6-16	20	18	0.038

Some products or part numbers may not be available in all markets. Contact your local Cook representative or Customer Service for details.
*6 and 8 Fr loop sets do not contain styles.

Loop Drainage Catheter Exchange Set



Order Number	Reference Part Number	Catheter Fr	Catheter Length cm
Loop Drainage Catheter Exchange Set			
G55805	ULC-6-15	6.0*	15
G55806	ULC-8-30	8.0*	30
G55807	ULC-10-30	10.0	30
G55808	ULC-12-30	12.0	30
G55809	ULC-14-30	14.0	30

Some products or part numbers may not be available in all markets. Contact your local Cook representative or Customer Service for details.
*6 and 8 Fr loop sets do not contain styles.

Malecot Drainage Catheter Suprapubic Set

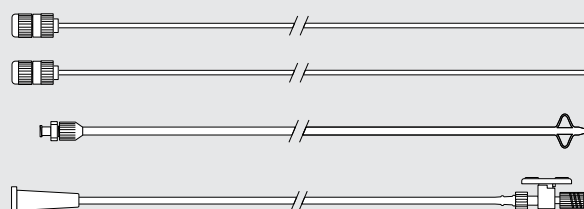


Order Number	Reference Part Number	Catheter Fr	Catheter Length cm	Needle gage
Malecot Drainage Catheter Suprapubic Set				
G56334	UMCP-8-15	8.0	15	19
G55821	UMCP-8-30	8.0	30	19
G56335	UMCP-10-15	10.0	15	18
G55822	UMCP-10-30	10.0	30	18
G55823	UMCP-12-30	12.0	30	16
G55824	UMCP-14-30	14.0	30	15
G55825	UMCP-16-30	16.0*	30	15

Some products or part numbers may not be available in all markets. Contact your local Cook representative or Customer Service for details.

*The one-way stopcock is not available on Malecot catheters that are 16 Fr and larger.

Malecot Drainage Catheter Exchange Set

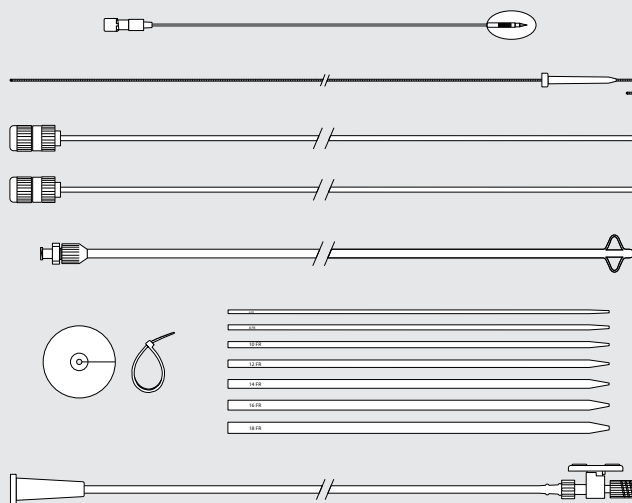


Order Number	Reference Part Number	Catheter Fr	Catheter Length cm
Malecot Drainage Catheter Exchange Set			
G55826	UMC-8-30	8.0	30
G55827	UMC-10-30	10.0	30
G55828	UMC-12-30	12.0	30
G55829	UMC-14-30	14.0	30
G55830	UMC-16-30	16.0*	30
G55831	UMC-18-30	18.0*	30
G55832	UMC-20-30	20.0*	30
G55833	UMC-22-30	22.0*	30
G55834	UMC-24-30	24.0*	30

Some products or part numbers may not be available in all markets. Contact your local Cook representative or Customer Service for details.

*The one-way stopcock is not available on Malecot catheters that are 16 Fr and larger.

Malecot Drainage Catheter Introductory Set



Order Number	Reference Part Number	Catheter Fr	Catheter Length cm	Dilators Fr	Dilator Length cm	Needle gage	Wire guide inch
Malecot Drainage Catheter							
Introductory Set							
G55816	UMCS-8-30	8.0	30	6-10	20	18	0.035
G55817	UMCS-10-30	10.0	30	6-12	20	18	0.038
G55818	UMCS-12-30	12.0	30	6-14	20	18	0.038
G55819	UMCS-14-30	14.0	30	6-16	20	18	0.038
G55820	UMCS-16-30	16.0*	30	6-18	20	18	0.038

Some products or part numbers may not be available in all markets. Contact your local Cook representative or Customer Service for details.

*The one-way stopcock is not available on Malecot catheters that are 16 Fr and larger.

Customer Service

EU Website: cookmedical.eu
EDI: cookmedical.eu/edi
Distributors: +353 61239240, ssc.distributors@cookmedical.com
Austria: +43 179567121, oe.orders@cookmedical.com
Belgium: +32 27001633, be.orders@cookmedical.com
Denmark: +45 38487607, da.orders@cookmedical.com
Finland: +358 972519996, fi.orders@cookmedical.com
France: +33 171230269, fr.orders@cookmedical.com
Germany: +49 6950072804, de.orders@cookmedical.com
Hungary: +36 17779199, hu.orders@cookmedical.com
Ireland: +353 61239252, ie.orders@cookmedical.com
Italy: +39 0269682853, it.orders@cookmedical.com
Netherlands: +31 202013367, nl.orders@cookmedical.com
Poland: +48 223060159, pl.orders@cookmedical.com
Spain: +34 912702691, es.orders@cookmedical.com
Sweden: +46 858769468, se.orders@cookmedical.com
Switzerland - French: +41 448009609, fr.orders@cookmedical.com
Switzerland - Italian: +41 448009609, it.orders@cookmedical.com
Switzerland - German: +41 448009609, de.orders@cookmedical.com
United Kingdom: +44 2073654183, uk.orders@cookmedical.com

USA Website: cookmedical.com

EDI: cookmedical.com/edi.do

Americas:

Phone: +1 812.339.2235, 800.457.4500, Fax: 800.554.8335

E-mail: orders@cookmedical.com

Australia:

Phone: +61 734346000, 1800777222, Fax: +61 734346001, 1800077283

E-mail: cau.custserv@cookmedical.com



CC, URO-A4